

AIR VALVE(3/2 WAY)

3A300 SERIES

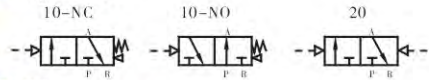


■ Specification

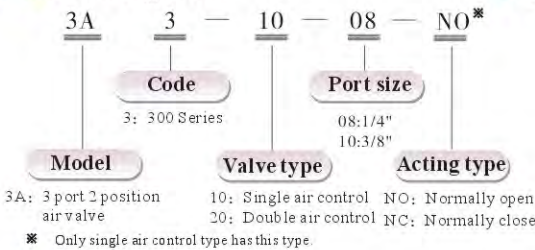
Model	3A310-08	3A320-08	3A310-10	3A320-10
Fluid	Air (to be filtered by 40μ filter element)			
Acting	Exterior control			
Port size	In=Out=1/4"		In=Out=3/8"	
Valve type	3 port 2 position			
Temperature	-5~60°C. (-23~140°F)			
Orifice size	25mm ² (Cv=1.39)		30mm ² (Cv=1.67)	
Lubrication	Not required			
Operating pressure	1.5-8.0 bar(0.15-0.8MPa)(21-114Psi)			
Proof pressure	12 bar(1.2MPa)(171Psi)			
Material of body	Aluminum alloy			
Max. frequency	5 cycle/sec			

*Note: PT, NPT, B.SPP Thread are available.

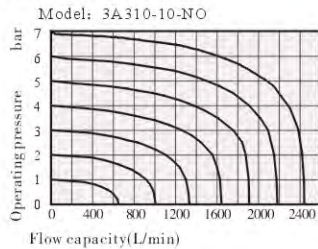
■ Symbol



■ Ordering code

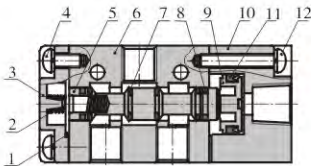


■ Flow chart

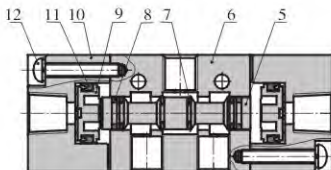


■ Inner structure

3A310



3A320



NO.	Item	NO.	Item
1	Bottom cover gasket	7	Spool O-ring
2	Spring	8	Spool packing
3	Bottom cover	9	Piston
4	Bottom cover screw	10	Pilot body
5	Spool	11	Piston O-ring
6	Body	12	Pilot screw

AIR VALVE(3/2 WAY)

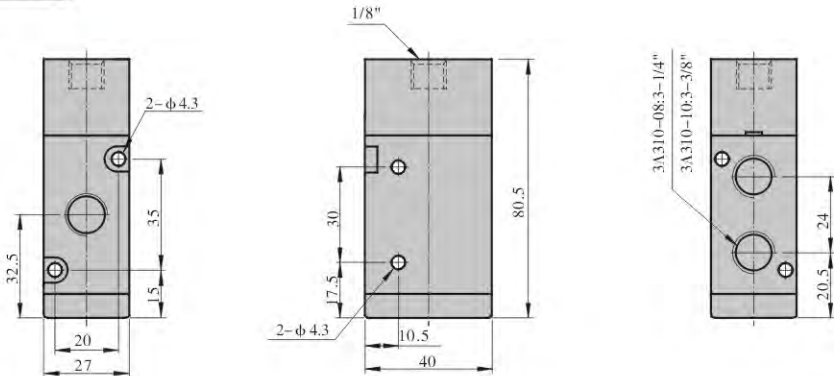
3A300 SERIES

Material of major parts

Item	3A310	3A320	Item	3A310	3A320
Body	Aluminum alloy		Bottom cover	Zinc alloy	-
Spool	Aluminum alloy		Screw	Steel	
Spool O-ring	NBR		Spring	Stainless steel	-
Bottom cover gasket	NBR	-	Piston	POM	
Pilot O-ring	NBR		Pilot body	Aluminum alloy	

Dimensions

3A310



3A320

