

PUSH-PULL VALVE(3/2 WAY)

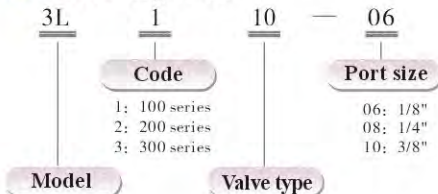
3L SERIES



Symbol



Ordering code



3L: 3 port 2 position
push-pull valve

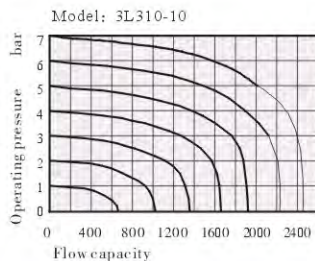
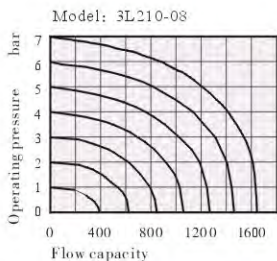
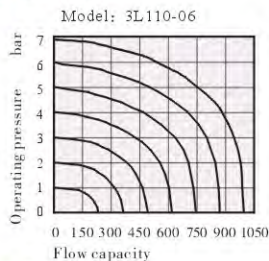
10: 2 position

Specification

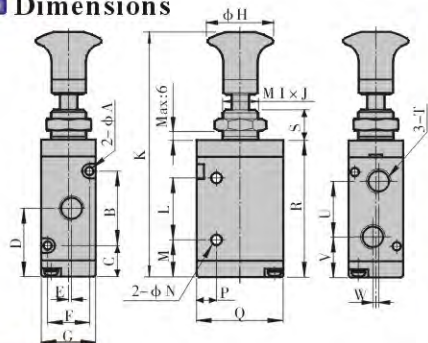
Model	3L110-06	3L210-06	3L210-08	3L310-08	3L310-10
Media	Air(to be filtered by 40μ filter element)				
Type	3 Port 2 Position				
Port size	1/8"		1/4"		3/8"
Orifice size mm ² (Cv)	12(0.67)	14(0.78)	16(0.89)	25(1.39)	30(1.67)
Pressure range	0-8.0 bar (0-0.8MPa)(0-114Psi)				
Proof pressure	12.0 bar (1.2MPa)(171Psi)				
Temperature	-5-60°C				

*Note: PT, NPT, BSPP Thread are available

Flow chart



Dimensions



Item	3L110			3L210			3L310			Item	3L110			3L210			3L310		
	Type	06	08	06	08	10	Type	06	06		08	08	10	Type	06	06	08	08	10
A	3.3	3.3	3.3	4.3	4.3		L	21	25	25	30	30							
B	19	30	30	35	35		M	12.2	15.2	15.2	17.5	17.5							
C	13.2	12.7	12.7	15	15		N	3.3	4.3	4.3	4.3	4.3							
D	23.7	27.7	27.7	32.5	32.5		P	7.5	8	8	10	10							
E	1	0	1.5	0	2		Q	27	35	35	40	40							
F	13	17	17	20	20		R	47	57	57	65.8	65.8							
G	18	22	22	27	27		S	10	10	10	10	10							
H	22	22	22	25	25		T	1/8"	1/8"	1/4"	1/4"	3/8"							
I	12	14	14	16	16		U	16	22.5	22.5	24	24							
J	0.75	1.0	1.0	1.0	1.0		V	14.7	16.5	16.5	20.5	20.5							
K	79	90	90	100	100		W	2	0	0	0	0							