



FFC35 Series

1/2" flow couplings feature double the flow of the HFC Series couplings. The FFC Series has a non-valved bore that increases flow and minimizes turbulence. The polysulfone material is able to withstand demanding applications and features physical strength, chemical resistance and autoclavability. An ergonomic design and a large, shrouded thumb latch pad produce a coupling that is easy to grip and simple to operate.

Features	Benefits
No valves	Exceptional flow
Polysulfone material	Physically strong and autoclavable
Ergonomic design	Easy to grip, simple to operate

Specifications

Pressure: Vacuum to 125 psi, 8.6 bar

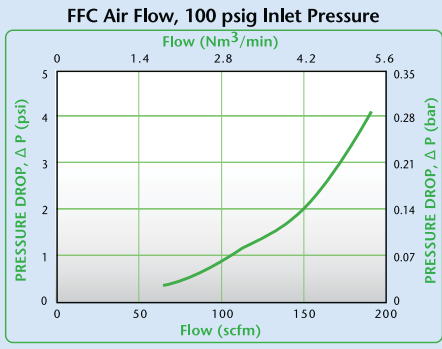
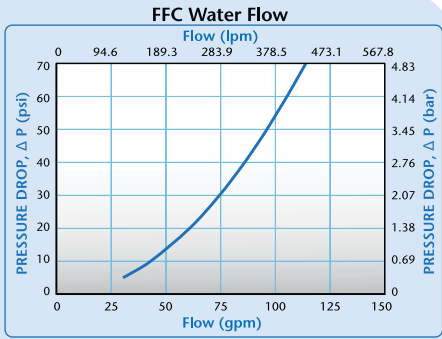
Temperature:
-40°F to 280°F (-40°C to 138°C)

- Materials:**
Main components: Polysulfone
Thumb latch: Polysulfone
External spring: 316 stainless steel
O-rings: FDA Buna-N
Panel mount gasket: EPDM
Female GHT gasket: FDA EPDM

Color:
Natural white with dark gray latch

Tubing Sizes: 3/4" ID, 19.0mm ID

WARNING: Pressure, temperature, chemicals, and operating environment can affect the performance of couplings. It is the customer's responsibility to test the suitability of Colder products in their own application conditions. Use the graphs on the following page as a guide.

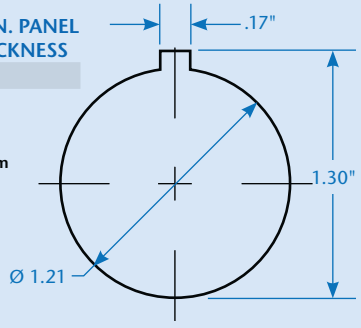


These graphs are intended to give you a general idea of the performance capabilities of each product line.

Panel Mount Dimensions

	PANEL OPENING	MAX. PANEL THICKNESS	MIN. PANEL THICKNESS
COUPLING BODIES	see drawing	.25	.03

Gasket Thickness: .06"
 Mounting Hole: 1.21" diameter
 Coupling Spacing: 1.92" minimum

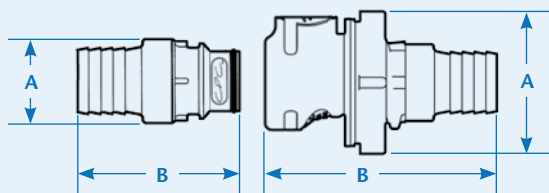


Non-Valved

Colder's FFC35 Series couplings feature a wide open, straight-thru flow path.



Product Dimensions (cont.)



A = Height/Diameter
B = Total Length

Coupling Bodies

POLYSULFONE

TERMINATION	THREAD SIZE	STRAIGHT THRU	A	B
IN-LINE	1/2" NPT	FFC10835	1.44	2.88
PIPE THREAD	1/2" BSPT	FFC10835BSPT	1.44	2.88
	3/4" NPT	FFC101235	1.44	3.12
	3/4" BSPT	FFC101235BSPT	1.44	3.12
	3/4" GHT	FFC101235GHT	1.44	2.94

TERMINATION	THREAD SIZE	STRAIGHT THRU	A	B
IN-LINE	3/4" GHT	FFC191235GHT	1.44	2.70
PIPE THREAD (FEMALE)	3/4" BSPP	FFC191235BSPP	1.44	2.70

TERMINATION	TUBING SIZE	METRIC EQ.	STRAIGHT THRU	A	B
BULKHEAD	3/4" ID	19.0mm ID	FFC161235	1.82	2.94
PANEL MOUNT					
HOSE BARB					

TERMINATION	TUBING SIZE	METRIC EQ.	STRAIGHT THRU	A	B
IN-LINE	3/4" ID	19.0mm ID	FFC171235	1.44	2.94
HOSE BARB					

Accessories

TERMINATION PANEL MOUNT GASKET REPLACEMENT	For sealing panel mount bodies listed above	MATERIAL EPDM	PART NO. 621200
TERMINATION GHT GASKET REPLACEMENT	For sealing female threads	MATERIAL FDA EPDM	PART NO. 2339400



Coupling Inserts

POLYSULFONE

TERMINATION	THREAD SIZE	STRAIGHT THRU	A	B
IN-LINE	1/2" NPT	FFC24835	1.16	1.95
PIPE THREAD	1/2" BSPT	FFC24835BSPT	1.16	1.95
	3/4" NPT	FFC241235	1.23	2.14
	3/4" BSPT	FFC241235BSPT	1.23	2.14
	3/4" GHT	FFC241235GHT	1.16	2.01

TERMINATION	THREAD SIZE	STRAIGHT THRU	A	B
IN-LINE	3/4" GHT	FFC261235GHT	1.37	1.77
PIPE THREAD (FEMALE)	3/4" BSPP	FFC261235BSPP	1.37	1.77

TERMINATION	TUBING SIZE	METRIC EQ.	STRAIGHT THRU	A	B
IN-LINE	3/4" ID	19.0mm ID	FFC221235	1.00	2.02
HOSE BARB					



All measurements are in inches (millimeters) unless otherwise noted. Tubing must meet stated inside and outside diameters.



Call toll free 1-800-444-2474 or visit us at www.colder.com

Copyright © 2011 by Colder Products Company. All rights reserved. Colder Products Company, Colder Products and CPC are registered trademarks with the US Patent & Trademark Office.