



Patented

The Sixtube™ coupling provides one easy-to-use quick disconnect for up to six separate fluid lines. The Sixtube is available with valves on either side for maximum design flexibility. Featuring the Colder thumb latch, the Sixtube can disconnect up to six lines with the push of a button. The snap-in panel mount design keeps a low profile on the front of the equipment panel.

The Twin Tube™ coupling provides one easy-to-use quick disconnect for two separate fluid lines. The non-valved Twin Tube maintains two individual flow paths in one coupling. Featuring the Colder thumb latch, the Twin Tube can disconnect two lines with the push of a button. The panel mount design keeps a low profile on the front of the equipment panel.

Features

- Six/two line connection
- Separate flow paths
- Sixtube insert is keyed to body
- Free coupling rotation (Twin Tube)
- Colder thumb latch

Benefits

- Fast, efficient operation
- Pressure and/or vacuum in one coupling
- Ensures correct line orientation
- Eliminates kinked tubing
- One-hand connection and disconnection

SIXTUBE

TWIN TUBE

Sixtube Specifications

Pressure: Vacuum to 100 psi, 6.9 bar per line

Temperature:

Acetal fitting inserts:

-40°F to 180°F (-40°C to 82°C)

Polypropylene fitting inserts:

32°F to 180°F (0°C to 82°C)

Materials:

Main component: Acetal

Valves: Acetal

Fitting inserts: Acetal, polypropylene

Thumb latch: Acetal

Valve spring: 316 stainless steel

O-rings: Buna-N with acetal or EPDM with polypropylene

Color: Natural white with aqua latch

Tubing Sizes:

1/16" to 1/8" ID, 1.6mm to 3.2mm ID

NOTE: Caution must be observed when ordering Sixtube assemblies. Body and insert halves which both contain female or male fittings will not couple. Contact Colder for questions and ordering assistance.

Twin Tube Specifications

Pressure: Vacuum to 120 psi, 8.3 bar per line

Temperature: -40°F to 180°F (-40°C to 82°C)

Materials:

Main components: Acetal, ABS

Thumb latch: Stainless steel

External springs and pin: Stainless steel

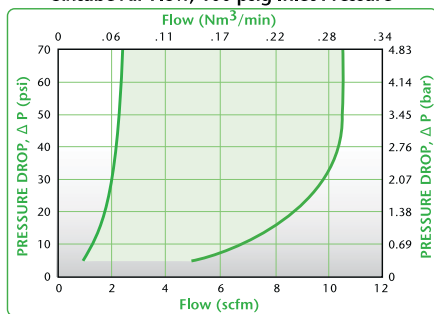
O-rings: Buna-N

Color: Natural white (acetal), white (ABS)

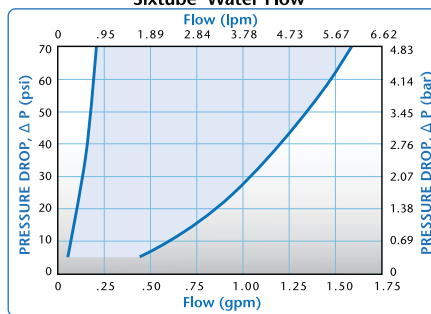
Tubing Sizes:

1/16" to 1/8" ID, 1.6mm to 3.2mm ID

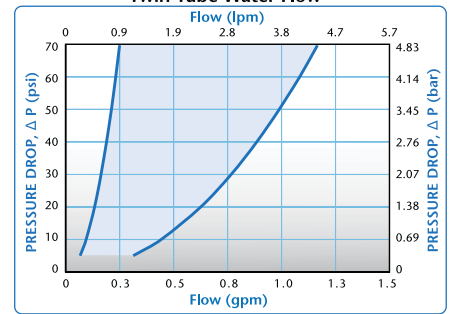
Sixtube Air Flow, 100 psig Inlet Pressure



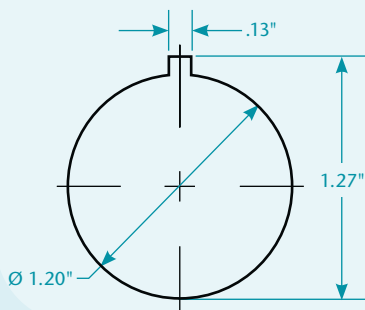
Sixtube Water Flow



Twin Tube Water Flow



These graphs are intended to give you a general idea of the performance capabilities of each product line. The shaded area of each graph represents the operating range of the product family, i.e., upper and lower values are shown. Therefore, depending on the exact coupling configurations selected, you can reasonably expect values to fall within the shaded area.



Sixtube™ Insert Panel Mount Dimensions

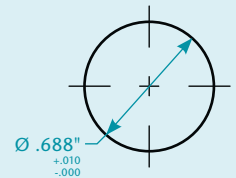
Panel Thickness: 1/8"

Twin Tube™ Body Panel Mount Dimensions



PANEL
NUT HEX
13/16

PANEL
NUT THREAD
11/16-24UNEF



Maximum Panel Thickness: 1/2"
Minimum Panel Thickness: 0.02"

Sixtube Coupling Bodies

ACETAL / POLYPROPYLENE

TERMINATION WITH MALE FITTING INSERTS	TUBING SIZE	METRIC EQ.	ACETAL STRAIGHT THRU	ACETAL SHUTOFF	POLYPROPYLENE STRAIGHT THRU
	1/16" ID	1.6mm ID	SXM1701		SXM170112
	1/8" ID	3.0mm ID	SXM17M3		
	1/8" ID	3.2mm ID	SXM1702		SXM170212
WITH FEMALE FITTING BODIES	1/16" ID	1.6mm ID	SXF1701	SXFD1701	SXF170112
	1/8" ID	3.0mm ID	SXF17M3	SXFD17M3	
	1/8" ID	3.2mm ID	SXF1702	SXFD1702	SXF170212
TERMINATION WITHOUT FITTINGS			SX17		



Sixtube Coupling Inserts

ACETAL / POLYPROPYLENE

TERMINATION WITH MALE FITTING INSERTS	TUBING SIZE	METRIC EQ.	ACETAL STRAIGHT THRU	ACETAL SHUTOFF	POLYPROPYLENE STRAIGHT THRU
	1/16" ID	1.6mm ID	SXM4201		SXM420112
	1/8" ID	3.0mm ID	SXM42M3		
	1/8" ID	3.2mm ID	SXM4202		SXM420212
WITH FEMALE FITTING BODIES	1/16" ID	1.6mm ID	SXF4201	SXFD4201	SXF420112
	1/8" ID	3.0mm ID	SXF42M3	SXFD42M3	
	1/8" ID	3.2mm ID	SXF4202	SXFD4202	SXF420212
TERMINATION WITHOUT FITTINGS			SX42		



Accessories



DESCRIPTION

Sixtube pressure plugs
(For fitting bodies or inserts, see page 67)

PART NO.

TMPMWHT

Twin Tube Coupling Bodies

ACETAL / ABS

TERMINATION PANEL MOUNT HOSE BARB	TUBING SIZE	METRIC EQ.	ACETAL STRAIGHT THRU	ABS STRAIGHT THRU
	1/16" ID	1.6mm ID	PTC16010	
	1/8" ID	3.2mm ID	PTC16020	PTC1602096



Twin Tube Coupling Inserts

ACETAL / ABS

TERMINATION IN-LINE HOSE BARB	TUBING SIZE	METRIC EQ.	ACETAL STRAIGHT THRU	ABS STRAIGHT THRU
	1/16" ID	1.6mm ID	PTC22010	
	1/8" ID	3.2mm ID	PTC22020	PTC2202096



Call toll free 1-800-444-2474 or visit us at www.colder.com

Copyright © 2011 by Colder Products Company. All rights reserved. Colder Products Company, Colder Products and CPC are registered trademarks with the US Patent & Trademark Office.